

7-079 Compression Latch Pr20.1

Tool operable, IP67, Stainless Steel, Vibration resistant, Latched and unlatched indicators

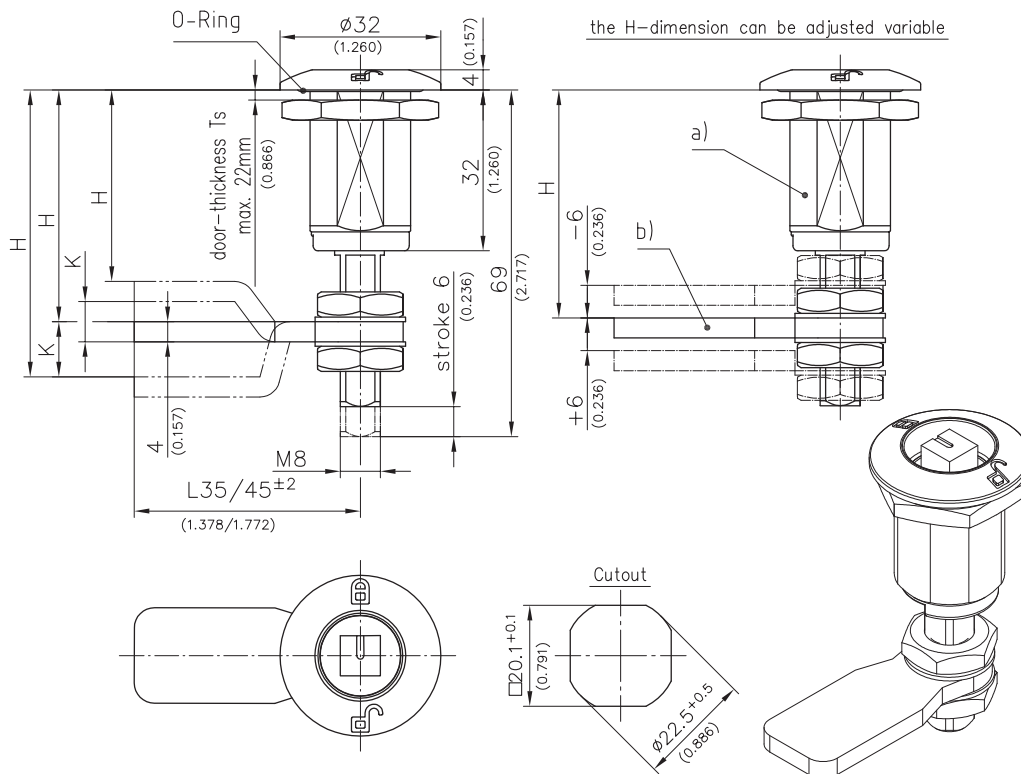


Product Notes:

- Low profile design
- Provides 6mm (0.236) compression
- Vibration resistant
- Markings on top indicate the opened/closed position
- Internal protrusion:
Maximum 69mm (2.717)
- Water and dust tight according to IP67, DIN EN 60529
- RH and LH versions available
- The cam can be varied to $\pm 6\text{mm}(0.236)$ via nuts on the shaft
- Using dustcap (Product System 1-270) changes H-dimension 2mm (0.079)

Material:

- **Housing, insert, axle and nut:**
Stainless Steel AISI 316
- **Cam, nuts M8 and serrated washer:**
Stainless Steel AISI 304
- **O-Ring:** NBR

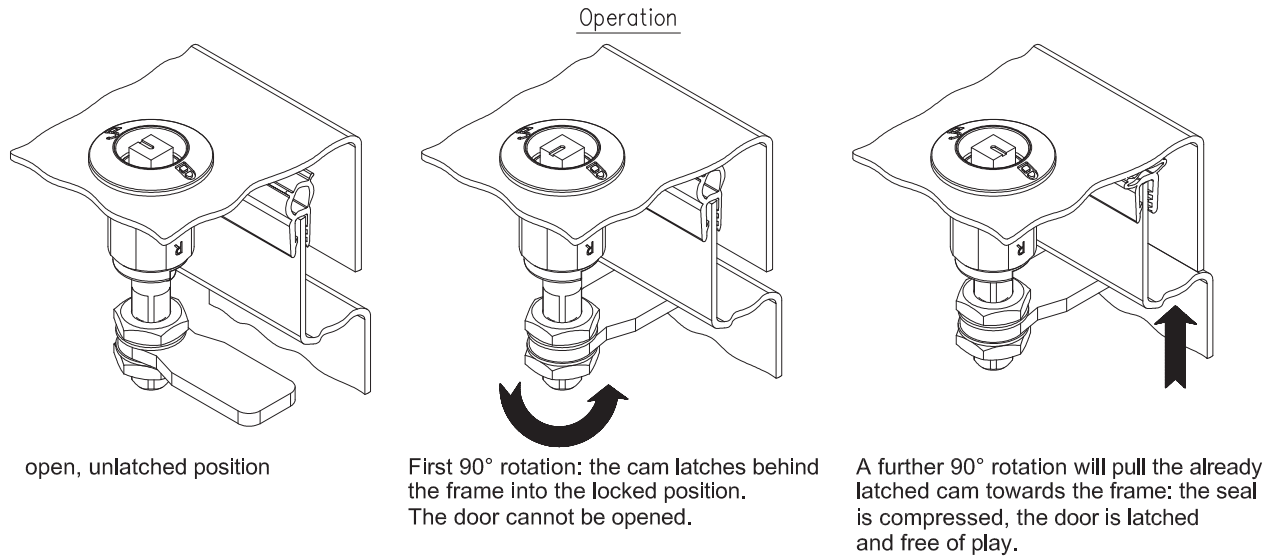


a) Compression Latch with insert without cam:

	RH Part No.	LH Part No.	See Page
Insert - Square 6mm	248-92AA	248-92AA	
Insert - Square 7mm	248-9200	248-9250	
Insert - Square 8mm	248-9201	248-9251	
Insert - Double bit 3mm	248-9202	248-9252	
Insert - Double bit 5mm	248-9204	248-9254	
Insert - Triangular 6.5mm	248-9205	248-9255	
Insert - Triangular 7mm	248-9206	248-9256	
Insert - Triangular 8mm	248-9207	248-9257	
Insert - Conical Square	248-9208	248-9258	
Insert - Hex. 11mm (for female key, hollow)	248-9209	248-9259	
Insert - Conical Triangular	248-9210	248-9260	
Anti-rotation device			01.107
Key for Insert			10.18

7-079 Compression Latch Pr20.1

Tool operable, IP67, Stainless Steel, Vibration resistant, Latched and unlatched indicators



Compression Latch with Cam and Accessories

248-92AA.00- X Y L CC

Insert version and Design:

RH or LH
see table a)

Accessories on Tabelle a):

0 = without Accessories
1 = Serrated lock washer 840-6798.00-00023
2 = Dustcap 200-4103
3 = Serrated lock washer + Dustcap

Assembling of Cam:

0 = without Cam
1 = Cam not assembled (attached loose)

length of Cam:

0 = without Cam
1 = L35
2 = L45

Cranked Cam:

see table b)

b) Cams	H mm / inch	CC	Part No. L35	Part No. L45	
negative	17-29 / 0.669-1.142	22	100-0535.80-00022	100-0545.80-00022	
	19-31 / 0.748-1.220	20	100-0535.80-00020	100-0545.80-00020	
	21-33 / 0.827-1.299	18	100-0535.80-00018	100-0545.80-00018	
	23-35 / 0.906-1.378	16	100-0535.80-00016	100-0545.80-00016	
	25-37 / 0.984-1.457	14	100-0535.80-00014	100-0545.80-00014	
	27-39 / 1.063-1.535	12	100-0535.80-00012	100-0545.80-00012	
	29-41 / 1.142-1.614	10	100-0535.80-00010	100-0545.80-00010	
	31-43 / 1.220-1.693	08	100-0535.80-00008	100-0545.80-00008	
	33-45 / 1.299-1.772	06	100-0535.80-00006	100-0545.80-00006	
	35-47 / 1.378-1.850	04	100-0535.80-00004	100-0545.80-00004	
straight	37-49 / 1.457-1.929	02	100-0535.80-00002	100-0545.80-00002	
	39-51 / 1.535-2.008	00	100-0535.80-00000	100-0545.80-00000	
	positive	41-53 / 1.614-2.087	02	100-0535.80-00002	100-0545.80-00002
		43-55 / 1.693-2.165	04	100-0535.80-00004	100-0545.80-00004
		45-57 / 1.772-2.244	06	100-0535.80-00006	100-0545.80-00006
		47-59 / 1.850-2.323	08	100-0535.80-00008	100-0545.80-00008
		49-61 / 1.929-2.402	10	100-0535.80-00010	100-0545.80-00010
		51-63 / 2.008-2.480	12	100-0535.80-00012	100-0545.80-00012
		53-65 / 2.087-2.559	14	100-0535.80-00014	100-0545.80-00014
		55-67 / 2.165-2.638	16	100-0535.80-00016	100-0545.80-00016
57-69 / 2.244-2.717	18	100-0535.80-00018	100-0545.80-00018		
59-71 / 2.323-2.795	20	100-0535.80-00020	100-0545.80-00020		
61-73 / 2.402-2.874	22	100-0535.80-00022	100-0545.80-00022		